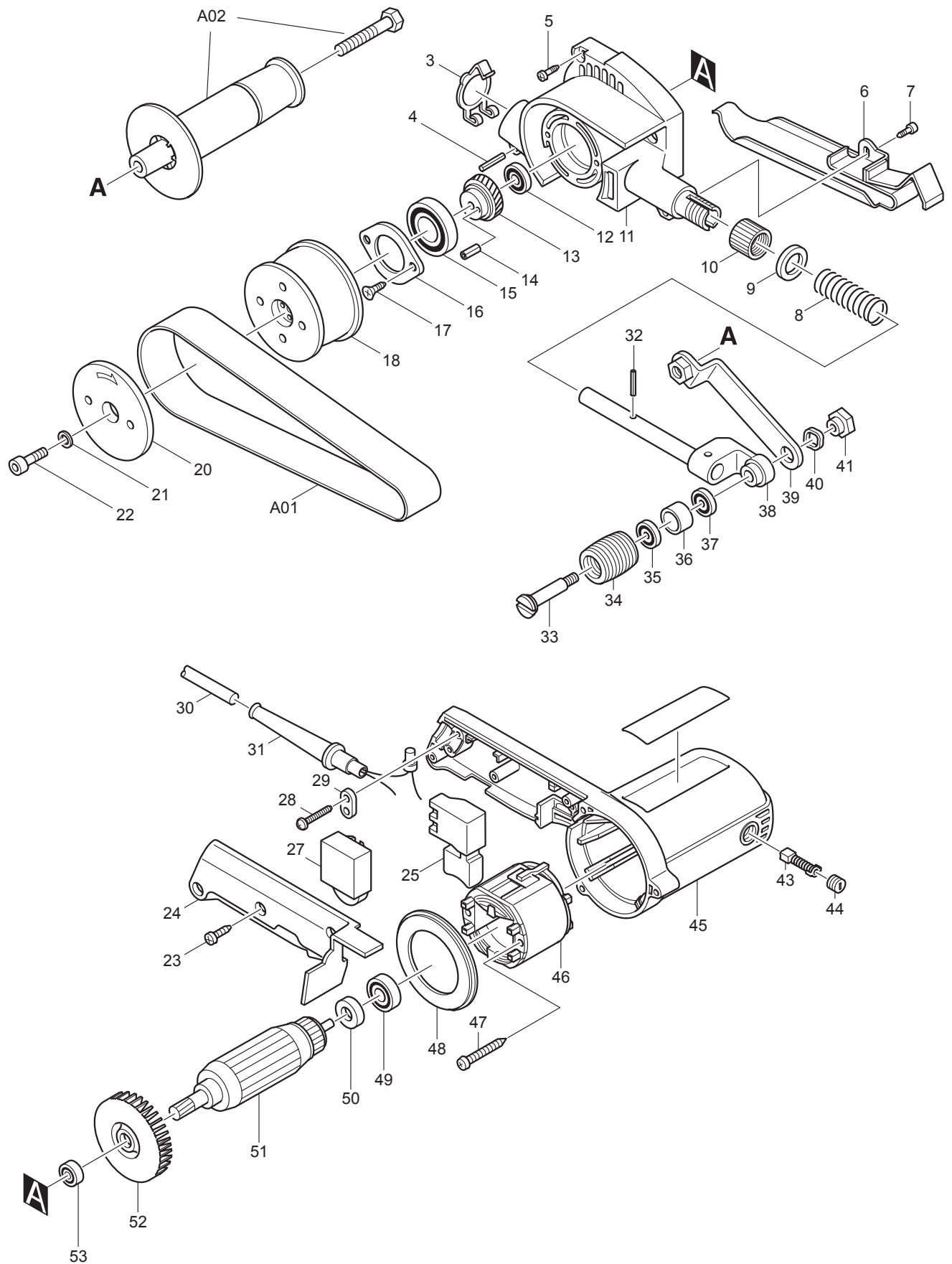




07 - 2009

9031

1-3/16" X 21" BELT SANDER



| Item No | Type | Sub | Part No | Description | Qty | Unit |
|---------|------|------|-----------|---|-----|------|
| 001 | | | 152490-4 | GRIP 36 COMPLETE | 1 | PC. |
| 003 | | | 286241-4 | CAP 30 | 1 | PC. |
| 004 | | | 951116-3 | SPRING PIN 4-20 | 1 | PC. |
| 005 | 2 | | 265999-8 | TAPPING SCREW 4X25 | 3 | PC. |
| 006 | | | 342152-4 | FLAT SHOE | 1 | PC. |
| 007 | | | 266035-3 | TAPPING SCREW BIND CT 5X12 | 1 | PC. |
| 008 | | | 231056-4 | COMPRESSION SPRING 13 | 1 | PC. |
| 009 | | | 253052-2 | FLAT WASHER 12 | 1 | PC. |
| 010 | | | 252605-4 | WING NUT M16 | 1 | PC. |
| 011 | 2 | | 144743-5 | * GEAR HOUSING COMPLETE | 1 | PC. |
| | | INC. | 263002-9 | * RUBBER PIN 4 | 1 | PC. |
| 012 | | | 211023-5 | BALL BEARING 607LB | 1 | PC. |
| 013 | | | 226435-9 | HELICAL GEAR 35 | 1 | PC. |
| 014 | | | 258009-8A | SPRING PIN 3.5-12 | 1 | PC. |
| 015 | | | 211331-4 | BALL BEARING 6904DDW | 1 | PC. |
| 016 | | | 285830-2 | BEARING RETAINER 44 | 1 | PC. |
| 017 | | | 266058-1 | TAPPING SCREW CT 4X12 | 2 | PC. |
| 018 | | | 222129-4 | PULLEY 33-64 | 1 | PC. |
| 020 | | | 415624-3 | PULLEY LINER | 1 | PC. |
| 021 | | | 941101-4 | FLAT WASHER 5 | 1 | PC. |
| 022 | | | 266067-0 | HEX. SOCKET HEAD BOLT M5X20 | 1 | PC. |
| 023 | 2 | | 265995-6 | TAPPING SCREW 4X18 | 3 | PC. |
| 024 | | | 415635-8 | HANDLE COVER | 1 | PC. |
| 025 | | | 651263-7 | SWITCH SGEL206C | 1 | PC. |
| 027 | 2 | | 631676-8 | CONTROLLER | 1 | PC. |
| 028 | | | 265995-6 | TAPPING SCREW 4X18 | 2 | PC. |
| 029 | | | 687063-9 | CORD CLAMP (STRAIN RELIEF) | 1 | PC. |
| 030 | | | 664064-4 | CORD W/PLUG 2P-18-2.5M, SJ | 1 | PC. |
| 031 | | | 682502-4 | CORD GUARD 8-85 | 1 | PC. |
| 032 | | | 951116-3 | SPRING PIN 4-20 | 1 | PC. |
| 033 | | | 322746-1 | TOP PULLEY SHAFT | 1 | PC. |
| 034 | | | 222130-9 | PULLEY 30-25 | 1 | PC. |
| 035 | 2 | | 210211-1 | BALL BEARING 688LLU | 1 | PC. |
| 036 | | | 331450-1 | SLEEVE 12 | 1 | PC. |
| 037 | 2 | | 210211-1 | BALL BEARING 688LLU | 1 | PC. |
| 038 | | | 154417-0 | ANGLE STAY COMPLETE | 1 | PC. |
| 039 | | | 165110-1 | ARM COMPLETE | 1 | PC. |
| 040 | | | 253904-7 | WAVE WASHER 12 | 2 | PC. |
| 041 | | | 252138-9 | HEX. NUT M6-17 | 1 | PC. |
| 042 | | | 857678-8 | NAME PLATE F/9031 | 1 | PC. |
| 043 | 2 | | 195008-8 | CARBON BRUSH CB-408 2PC/SET (W/ ORIGIN) | 1 | SET |
| 044 | | | 643550-8 | BRUSH HOLDER CAP 5-8 | 2 | PC. |
| 045 | | | 159747-4 | MOTOR HOUSING COMPLETE | 1 | PC. |
| | | INC. | 643932-4 | BRUSH HOLDER 6X9 (OLD# 643917-0) | 2 | PC. |
| 046 | 2 | | 594717-0 | * FIELD ASS'Y 115V | 1 | PC. |
| | | INC. | 654100-4 | RING TERMINAL | 2 | PC. |
| | | INC. | 654501-6 | CONNECTOR P-1.25 | 2 | PC. |
| 047 | 2 | | 266052-3 | TAPPING SCREW 4X60 | 2 | PC. |
| 048 | | | 415634-0 | BAFFLE PLATE | 1 | PC. |
| 049 | | | 211028-5 | BALL BEARING 627LB | 1 | PC. |
| 050 | | | 681614-0 | INSULATION WASHER | 1 | PC. |
| 051 | | | 517146-0 | ARMATURE ASS'Y 115V | 1 | PC. |
| | | INC. | | Item No. 49,50,52,53 | 1 | PC. |

| Item No | Type | Sub | Part No | Description | Qty | Unit |
|---------|------|-----|----------|----------------------------------|-----|------|
| 052 | | | 241884-9 | FAN 60 | 1 | PC. |
| 053 | | | 210005-4 | BALL BEARING 608DDW | 1 | PC. |
| 100 | | | 652008-6 | P.H.SCREW M3.5X7 | 4 | PC. |
| 101 | | | 654037-5 | INSULATED EYE TERMINAL FT1.25-M3 | 4 | PC. |
| 102 | | | 654593-5 | SPLICE | 2 | PC. |

ACCESSORIES

- See catalogue or visit www.makita.ca for more optional accessories -

| | | | | | | |
|-----|---|------|----------|---|---|-----|
| A01 | | | 742301-7 | ABRASIVE BELT 30X533 #40 DAXB, 10PCS/SET | 2 | PC. |
| | | | 742302-5 | ABRASIVE BELT 30X533 #60 DAXB, 10PCS/SET | 2 | PC. |
| | | | 742303-3 | ABRASIVE BELT 30X533 #80 DAXB, 10PCS/SET | 2 | PC. |
| | | | 742304-1 | ABRASIVE BELT 30X533 #100 DAXB, 10PCS/SET | 2 | PC. |
| | | | 742305-9 | ABRASIVE BELT 30X533 #120 DAXB, 10PCS/SET | 2 | PC. |
| A02 | 2 | | 153489-2 | GRIP 36 COMPLETE (Resin Grip) | 1 | PC. |
| | | INC. | 921462-8 | HEX BOLT M8X40 | 1 | PC. |
| A03 | | | 777777-A | TOUCH-N-CLEAN STICK | 1 | PC. |

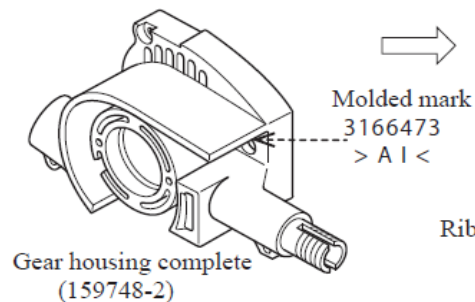
SERVICE CHANGES

1. Changes on Gear Housing Complete

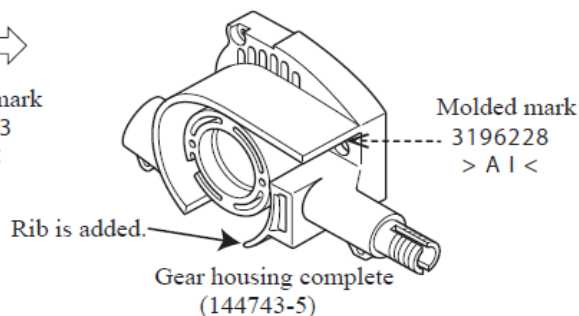
(TI#B7763)

| Item No. | Description | Type 1 | Type 2 |
|----------|-----------------------|----------|----------|
| 011 | GEAR HOUSING COMPLETE | 159748-2 | 144743-5 |

Type 1



Type 2



2. Changes on Armature and Wiring

(TI#C4626)

| Item No. | Description | Type 1 | Type 2 |
|----------|-------------|----------|----------|
| 046 | ARMATURE | 593316-5 | 594717-0 |

See TI# C4626 for Wiring change